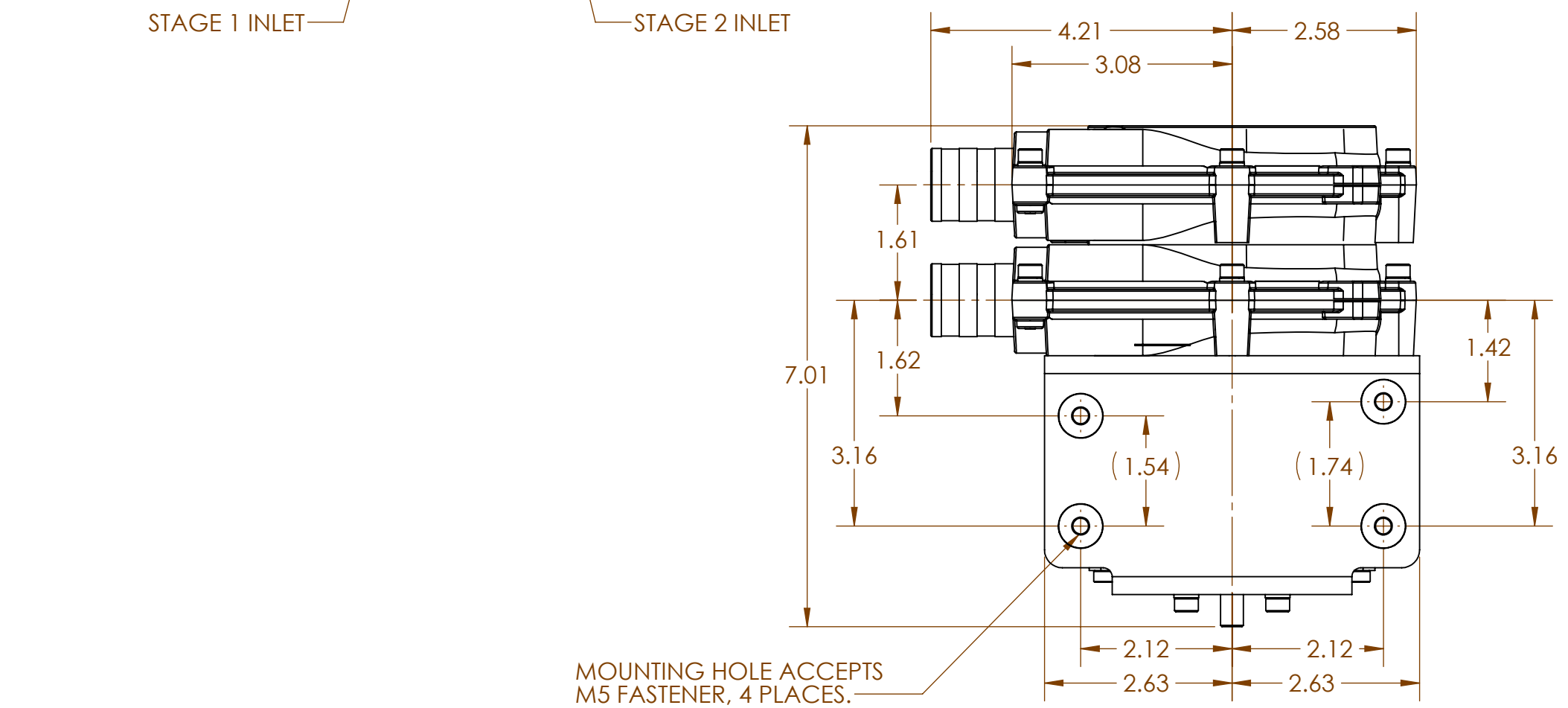
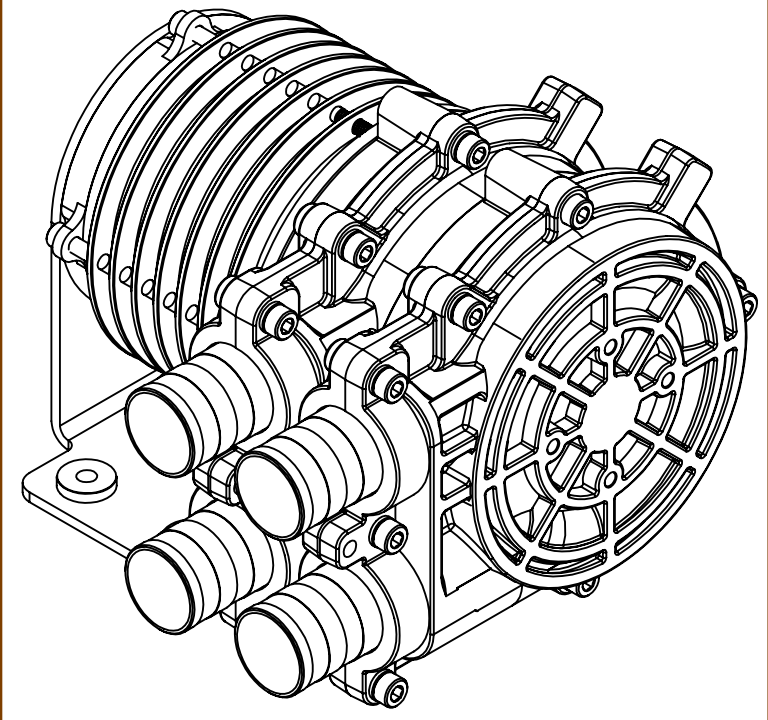
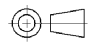


NOTES:  
 1) THIS DRAWING REPRESENTS A PROTOTYPE AND IS SUBJECT TO CHANGE.  
 2) DIMENSIONS IN INCHES.



**VAIREX**  
 air systems  
 3048 Valmont Road  
 Boulder, CO 80301-2115  
 Phone: (303) 444-4556

TITLE <b>VRB8-2-HP INSTALLATION DRAWING</b>		PROPRIETARY THIS DOCUMENT IS THE PROPERTY OF VAIREX AIR SYSTEMS AND CONTAINS CONFIDENTIAL INFORMATION.	
DRAWING NUMBER <b>22019-04</b>	REV -	THIS DOCUMENT MAY NOT BE COPIED NOR MAY THE INFORMATION IT CONTAINS BE DISCLOSED UNLESS AUTHORIZED IN WRITING BY VAIREX AIR SYSTEMS.	
Signatures	Date	ACCEPTANCE OF THIS DOCUMENT INDICATES AGREEMENT TO RECEIVE SUCH INFORMATION IN CONFIDENCE.	
DRAWN BY -	-		
CHECKED BY -	-		
ENGINEER -	-		
APPROVED <b>J.Oakman</b>	-		
USED WITH <b>NA</b>			
MATERIAL SEE NOTES	FINISH <b>63</b>	SIZE <b>B</b>	SCALE DO NOT SCALE
		SHEET 1 OF 1	