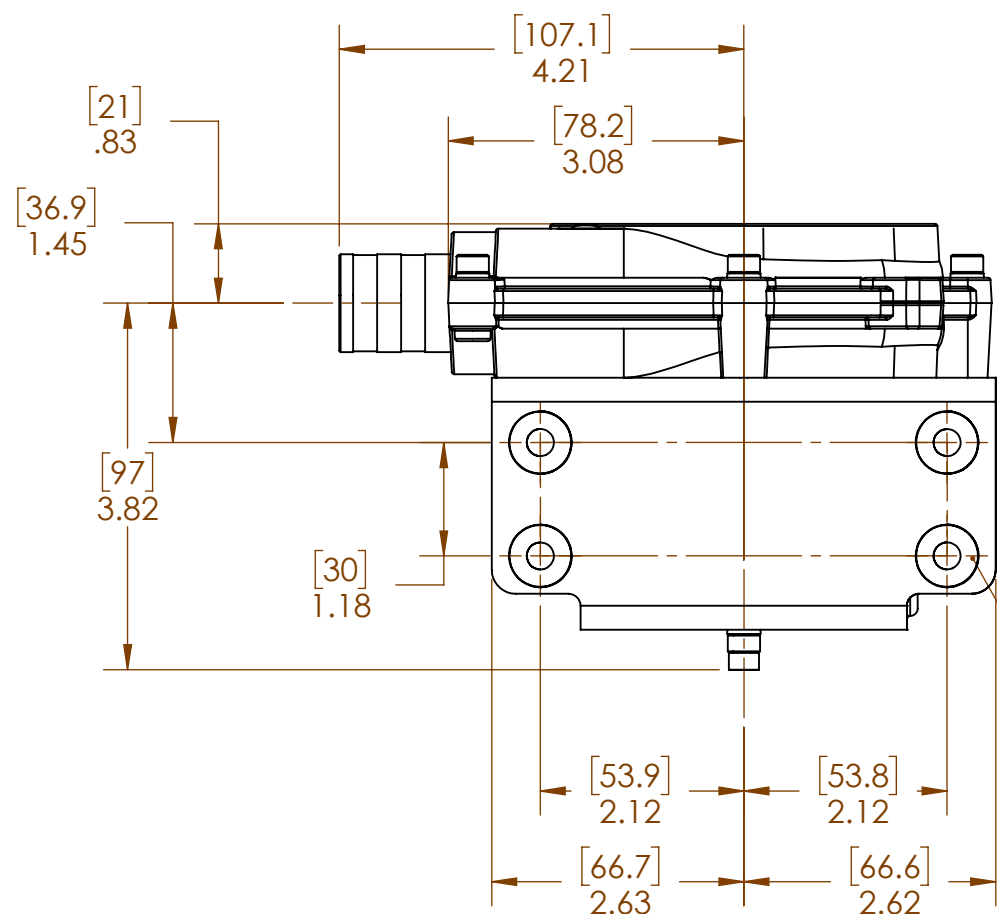
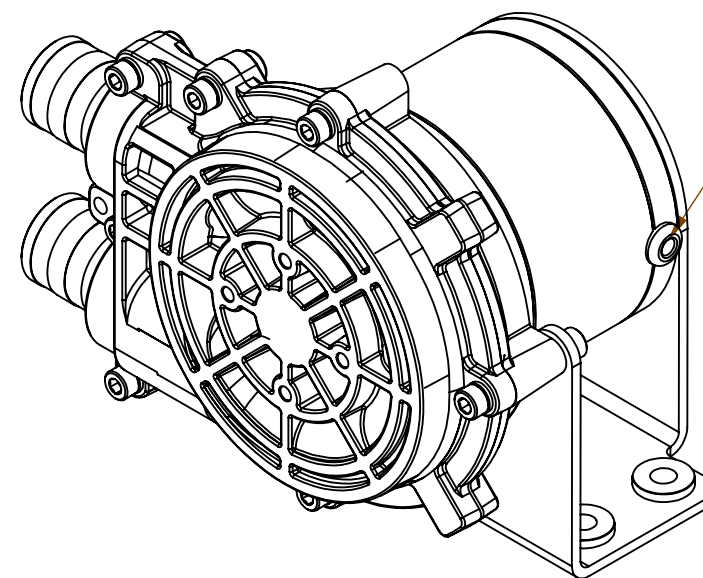


MOTOR WIRE LOCATION,
WIRE LENGTH ~30 CM [12 INCHES]



MOUNTING LOCATIONS DEPICTED
WITH SHOCK ISOLATORS 4X,
ACCEPTS M5 FASTENER

MOTOR TERMINATION TABLE

CONNECTION	WIRE COLOR
PHASE B	BLACK
PHASE C	GREEN
PHASE A	RED
S1, HALL SENSOR 1	BROWN
S2, HALL SENSOR 2	BLUE
S3, HALL SENSOR 3	ORANGE
VCC, HALL SUPPLY	YELLOW
HALL GROUND	GRAY

REVISIONS

REV.	DESCRIPTION	DATE	APPRD
00	INITIAL RELEASE OF CAST/PRODUCTION VERSION	12/15/14	JO

NOTES:
1) DOCUMENT FOR REFERENCE ONLY.
DESIGN MAY CHANGE AT ANY TIME
WITHOUT NOTICE.

2) PRIMARY DIMENSION IN INCHES,
SECONDARY IN [mm].

3) WIRE HARNESS NOT SHOWN. HARNESS
LENGTH ~12 INCHES (30cm).

4) WEIGHT APPROX: 4.6 LB. (2.1Kg)

5) AVAILABLE CUSTOMER OPTIONS:
- 1 INCH AND 30MM PORT TUBES
AVAILABLE STANDARDS.
- OTHER PORT TUBE SIZES AND
GEOMETRY VARIATIONS ARE POSSIBLE,
CONTACT VAIREX FOR MORE
INFORMATION.

6) RECOMMENDED PERIPHERALS:
- CONTROLLER: MOOG BDO-Q2-50-40
- SILENCER: VS25-00
- FILTER: SOLBERGMFG, FS-10-100

7) CONTACT VAIREX FOR ADDITIONAL
INFORMATION.



3048 Valmont Road
Boulder, CO 80301-2115
sales@vairerx.com

TITLE VRB8-25 INSTALLATION DRAWING		PROPRIETARY THIS DOCUMENT IS THE PROPERTY OF VAIREX AIR SYSTEMS AND CONTAINS CONFIDENTIAL INFORMATION.	
DRAWING NUMBER 21815-00	REV -	THIS DOCUMENT MAY NOT BE COPIED NOR MAY THE INFORMATION IT CONTAINS BE DISCLOSED UNLESS AUTHORIZED IN WRITING BY VAIREX AIR SYSTEMS.	
Signatures	Date	ACCEPTANCE OF THIS DOCUMENT INDICATES AGREEMENT TO RECEIVE SUCH INFORMATION IN CONFIDENCE.	
DRAWN BY -	-		
CHECKED BY -	-		
ENGINEER -	-		
APPROVED J.Oakman	-		
USED WITH NA			
MATERIAL SEE NOTES	FINISH 63	SIZE B	SCALE DO NOT SCALE
		SHEET 1 OF 1	