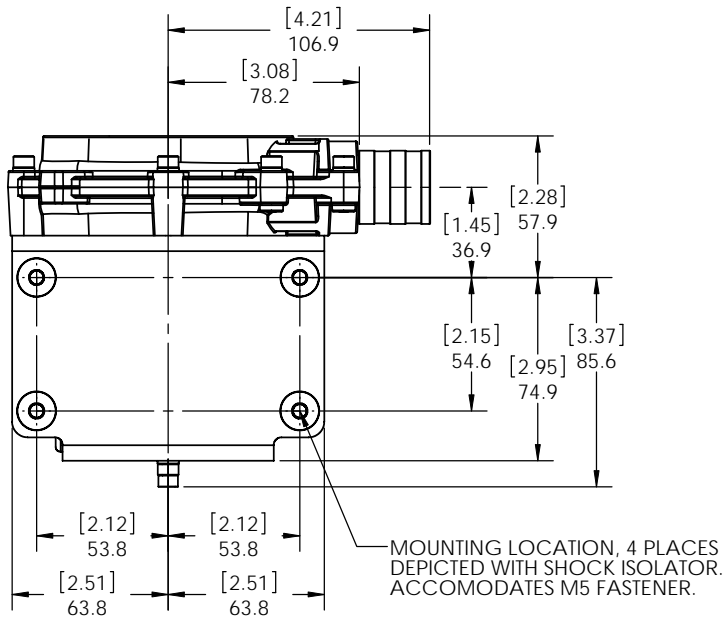


DIMENSION WILL VARY WITH COMPRESSION OF SHOCK ISOLATOR



REVISIONS

REV.	DESCRIPTION	DATE	APPRD
00	INITIAL RELEASE OF CAST/PRODUCTION VERSION	1/15/15	JO

- NOTES:
- 1) PRIMARY DIMENSION IN mm, SECONDARY IN INCHES.
 - 2) AVAILABLE CUSTOMER OPTIONS:
 - PORT TUBE SIZE AND GEOMETRY VARIATIONS.
 - AVAILABLE WITH AND WITHOUT SHOCK ISOLATORS.
 - PORT TUBE ORIENTATION WITH RESPECT TO BRACKET MOUNT BASE.
 - MOUNT BRACKET OPTIONS AVAILABLE.

VAIREX
air systems

3048 Valmont Road
Boulder, CO 80301-2115
Phone: (303) 444-4556

MOTOR WIRING TERMINATION TABLE

MOOG BDO-Q2-50-40, DRIVER PIN I.D.	CONNECTION	WIRE COLOR
POWER TERMINAL #2	PHASE B	BLACK
POWER TERMINAL #3	PHASE C	GREEN
POWER TERMINAL #4	PHASE A	RED
SIGNAL TERMINAL #1	S1, HALL SENSOR 1	BROWN
SIGNAL TERMINAL #2	S2, HALL SENSOR 2	BLUE
SIGNAL TERMINAL #3	S3, HALL SENSOR 3	ORANGE
SIGNAL TERMINAL #4	VCC, HALL SUPPLY	YELLOW
SIGNAL TERMINAL #5	HALL GROUND	GRAY

TITLE		PROPRIETARY	
VRB8-35 INSTALLATION DRAWING, PRODUCTION VERSION		THIS DOCUMENT IS THE PROPERTY OF VAIREX AIR SYSTEMS AND CONTAINS CONFIDENTIAL INFORMATION.	
DRAWING NUMBER	REV	THIS DOCUMENT MAY NOT BE COPIED NOR MAY THE INFORMATION IT CONTAINS BE DISCLOSED UNLESS AUTHORIZED IN WRITING BY VAIREX AIR SYSTEMS.	
21809-00	-	ACCEPTANCE OF THIS DOCUMENT INDICATES AGREEMENT TO RECEIVE SUCH INFORMATION IN CONFIDENCE.	
Signatures	Date		
DRAWN BY	-		
CHECKED BY	-		
ENGINEER	-		
APPROVED	J.Oakman		
USED WITH	NA		
MATERIAL	SEE NOTES	FINISH	63
SIZE	B	SCALE	DO NOT SCALE
		SHEET 1 OF 1	