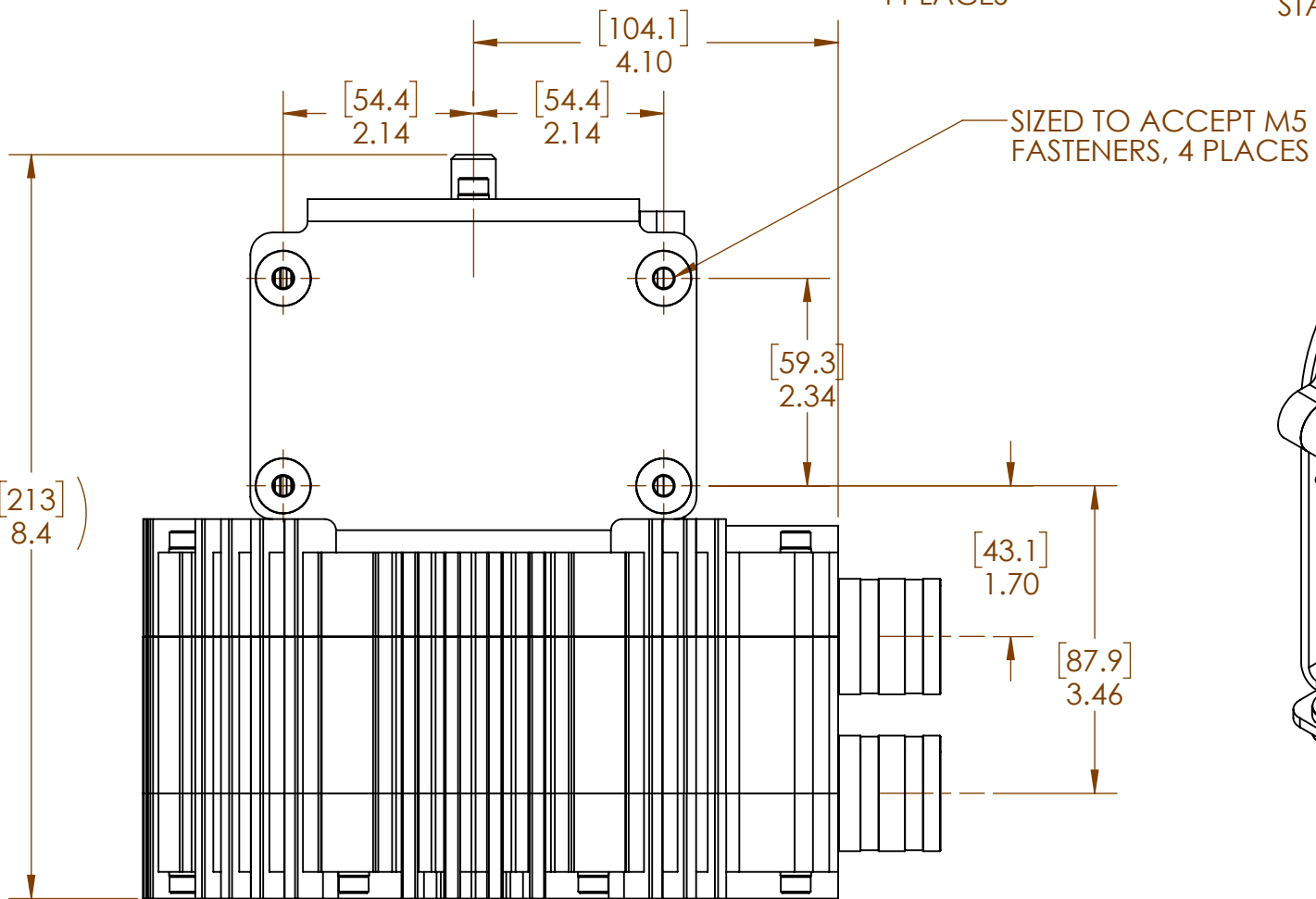
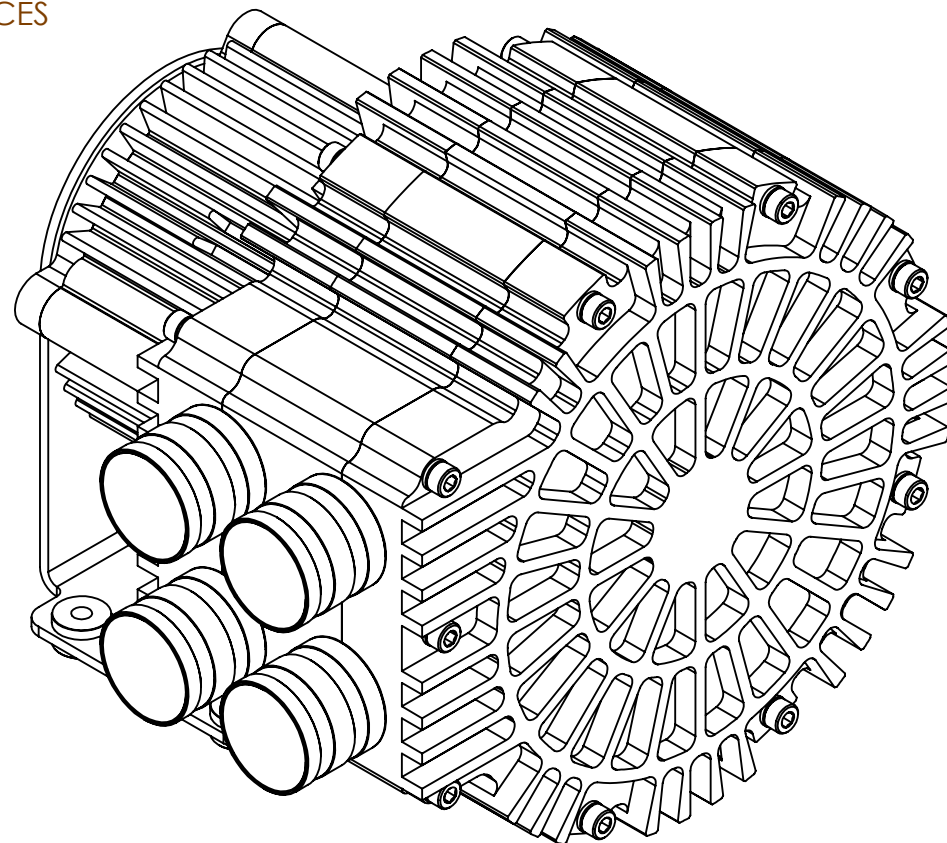


VIBRATION ISOLATORS,
4 PLACES



SIZED TO ACCEPT M5
FASTENERS, 4 PLACES



NOTES:
1) THIS DRAWING REPRESENTS A
PROTOTYPE AND IS SUBJECT TO CHANGE.
2) INTERSTAGE TUBING NOT SHOWN.
3) PRIMARY DIMENSIONS IN INCHES,
SECONDARY DIMENSION IN [mm].

VAIREX
air systems
3048 Valmont Road
Boulder, CO 80301-2115
Phone: (303) 444-4556

TITLE		PROPRIETARY	
VRB32-2 AIR COOLED INSTALLATION DRAWING		THIS DOCUMENT IS THE PROPERTY OF VAIREX AIR SYSTEMS AND CONTAINS CONFIDENTIAL INFORMATION.	
DRAWING NUMBER	REV	THIS DOCUMENT MAY NOT BE COPIED NOR MAY THE INFORMATION IT CONTAINS BE DISCLOSED UNLESS AUTHORIZED IN WRITING BY VAIREX AIR SYSTEMS.	
Signatures	Date	ACCEPTANCE OF THIS DOCUMENT INDICATES AGREEMENT TO RECEIVE SUCH INFORMATION IN CONFIDENCE.	
DRAWN BY	-		
CHECKED BY	-		
ENGINEER	-		
APPROVED	-		
USED WITH	NA		
MATERIAL	SEE NOTES	FINISH	63
SIZE	B	SCALE	DO NOT SCALE
		SHEET 1 OF 1	