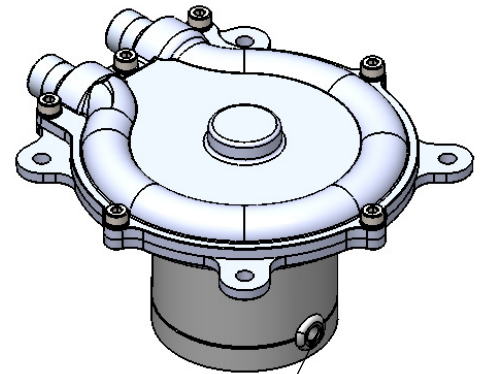
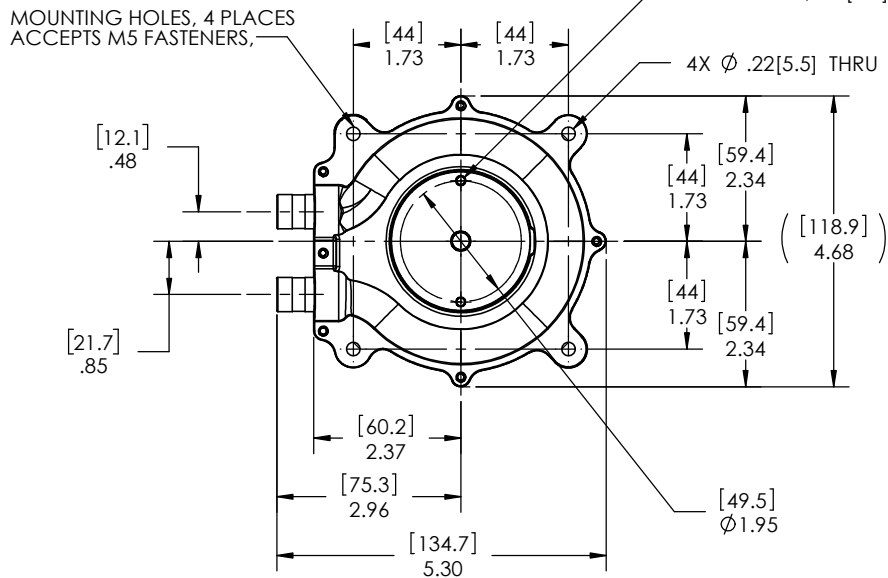


ADDITIONAL MOUNTING HOLES. DO NOT SUPPORT THE BLOWER SOLEY WITH THESE HOLES.
2X M4X0.7 , .25[6.4] MAXIMUM THREAD PENETRATION



CABLING OUTLET LOCATION, CABLES ~15IN/38CM IN LENGTH

REVISIONS

| REV. | DESCRIPTION | DATE | APPRD |
|------|-------------------------------------|----------|-------|
| - | INITIAL RELEASE | 11/15/12 | JO |
| A | REMOVE BLACK ANODIZE SURFACE FINISH | 10/3/16 | JO |

NOTES:

- 1) DOCUMENT FOR REFERENCE ONLY, DESIGN MAY CHANGE AT ANY TIME WITHOUT NOTICE.
- 2) PRIMARY DIMENSIONS IN INCHES. DIMENSIONS SHOWN IN PARENTHESES ARE IN MILLIMETERS [mm]
- 3) WIRE HARNESS NOT SHOWN
- 4) WEIGHT APPROX: 1.6 lbs (0.7kg)
- 5) AVAILABLE OPTIONS:
- STANDARD PORT TUBE SIZES: 0.55 IN O.D., 14 mm O.D., OTHERS ON SPECIAL REQUEST
- 6) RECOMMENDED PERIPHERALS:
- CONTROLLER: MOOG BDP-Q2-50-10
- SILENCER: VRB2 SILENCER, 21701-X0
- FILTER: SOLBERG MFG. FS-04-050
- 7) CONTACT VAIREX FOR ADDITIONAL INFORMATION.

VAIREX
air systems

3048 Valmont Road
Boulder, CO 80301-2115
sales@vairerx.com

TITLE
**VRB-18
INSTALLATION DRAWING**

PROPRIETARY
THIS DOCUMENT IS THE PROPERTY OF
VAIREX AIR SYSTEMS.
THIS DOCUMENT IS FOR REFERENCE ONLY.
CONTACT VAIREX AIR SYSTEMS FOR THE
LATEST VERSION.
ACCEPTANCE OF THIS DOCUMENT
INDICATES AGREEMENT TO THE ABOVE
CONDITIONS.

| MOTOR TERMINATION TABLE | |
|-------------------------|--------------|
| CONNECTION | WIRE COLOR |
| Vcc | WHITE/YELLOW |
| GROUND | WHITE/GREY |
| A COIL | WHITE/VIOLET |
| B COIL | WHITE/BLACK |
| C COIL | WHITE/GREEN |
| S2 OUT | WHITE/BLUE |
| S1 OUT | WHITE/BROWN |
| S3 OUT | WHITE |

| | | | |
|----------------|-----------|--------|----------|
| DRAWING NUMBER | 21924-00 | REV | A |
| Signatures | | Date | |
| DRAWN BY | - | | - |
| CHECKED BY | - | | - |
| ENGINEER | - | | - |
| APPROVED | | | 11/15/12 |
| USED WITH | NA | | |
| MATERIAL | SEE NOTES | FINISH | 63 |

SIZE **B** SCALE **DO NOT SCALE** SHEET 1 OF 1