

REVISIONS

REV.	DESCRIPTION	DATE	APPRD
-	ENGINEERING RELEASE	12/15/14	JO
A	REMOVE BLACK ANODIZE SURFACE FINISH	10/3/16	JO

NOTES:
 1) DOCUMENT FOR REFERENCE ONLY. DESIGN MAY CHANGE AT ANY TIME WITHOUT NOTICE.

2) PRIMARY DIMENSION IN INCHES, SECONDARY IN [mm].

3) WIRE HARNESS NOT SHOWN. HARNESS LENGTH ~12 INCHES (30cm).

4) WEIGHT APPROX: 3.6 LB. (1.6Kg)

5) AVAILABLE CUSTOMER OPTIONS:
 - PORT TUBE SIZE AND GEOMETRY VARIATIONS.

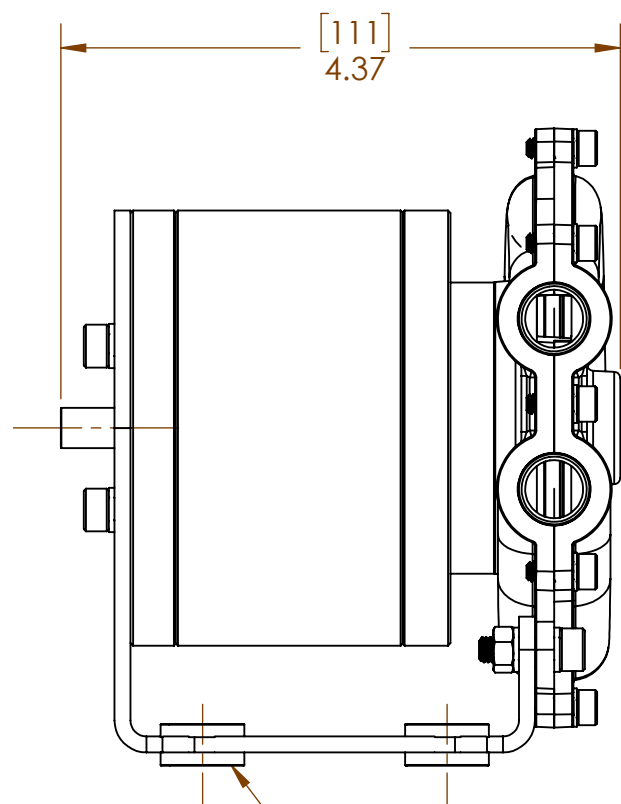
6) RECOMMENDED PERIPHERALS:
 - CONTROLLER: MOOG BDO-Q2-50-40
 - SILENCER: VS14-00
 - FILTER: SOLBERGMFG, FS-04-050

7) CONTACT VAIREX FOR ADDITIONAL INFORMATION.



3048 Valmont Road
 Boulder, CO 80301-2115
 sales@vairerx.com

TITLE VRB2-25 INSTALLATION DRAWING		PROPRIETARY THIS DOCUMENT IS THE PROPERTY OF VAIREX AIR SYSTEMS AND CONTAINS CONFIDENTIAL INFORMATION.	
DRAWING NUMBER 21924-01	REV A	THIS DOCUMENT MAY NOT BE COPIED NOR MAY THE INFORMATION IT CONTAINS BE DISCLOSED UNLESS AUTHORIZED IN WRITING BY VAIREX AIR SYSTEMS.	
Signatures	Date	ACCEPTANCE OF THIS DOCUMENT INDICATES AGREEMENT TO RECEIVE SUCH INFORMATION IN CONFIDENCE.	
DRAWN BY -	-		
CHECKED BY -	-		
ENGINEER -	-		
APPROVED -	-		
USED WITH NA			
MATERIAL SEE NOTES	FINISH 63	SIZE B	SCALE DO NOT SCALE
			SHEET 1 OF 1

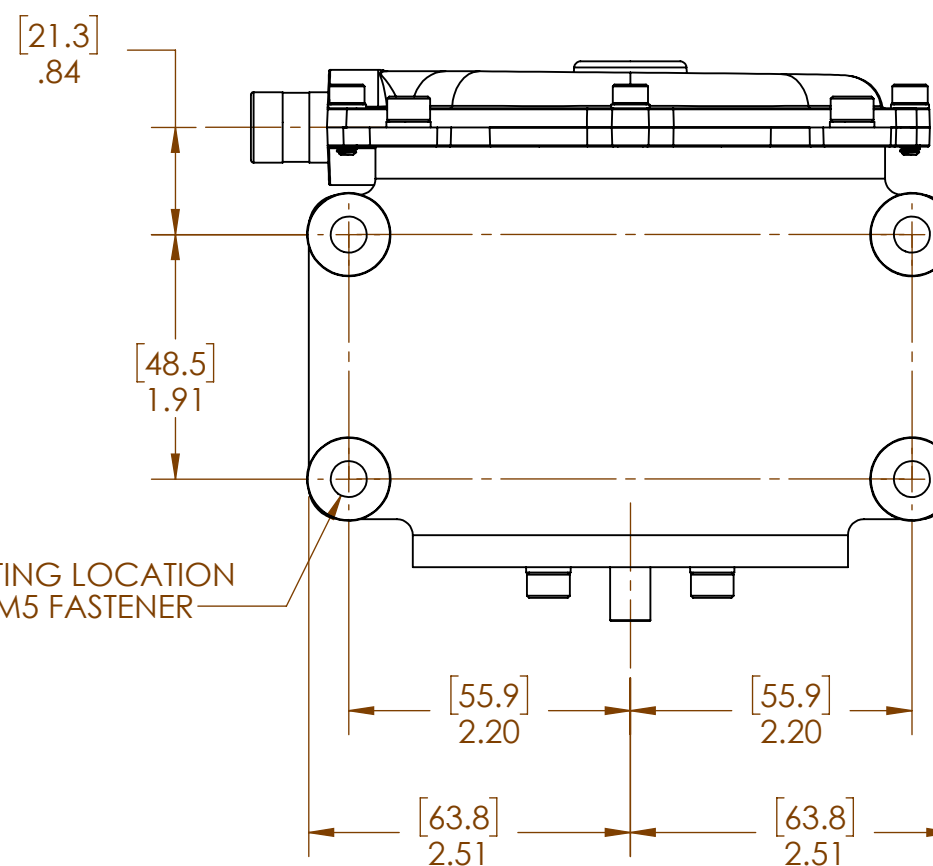
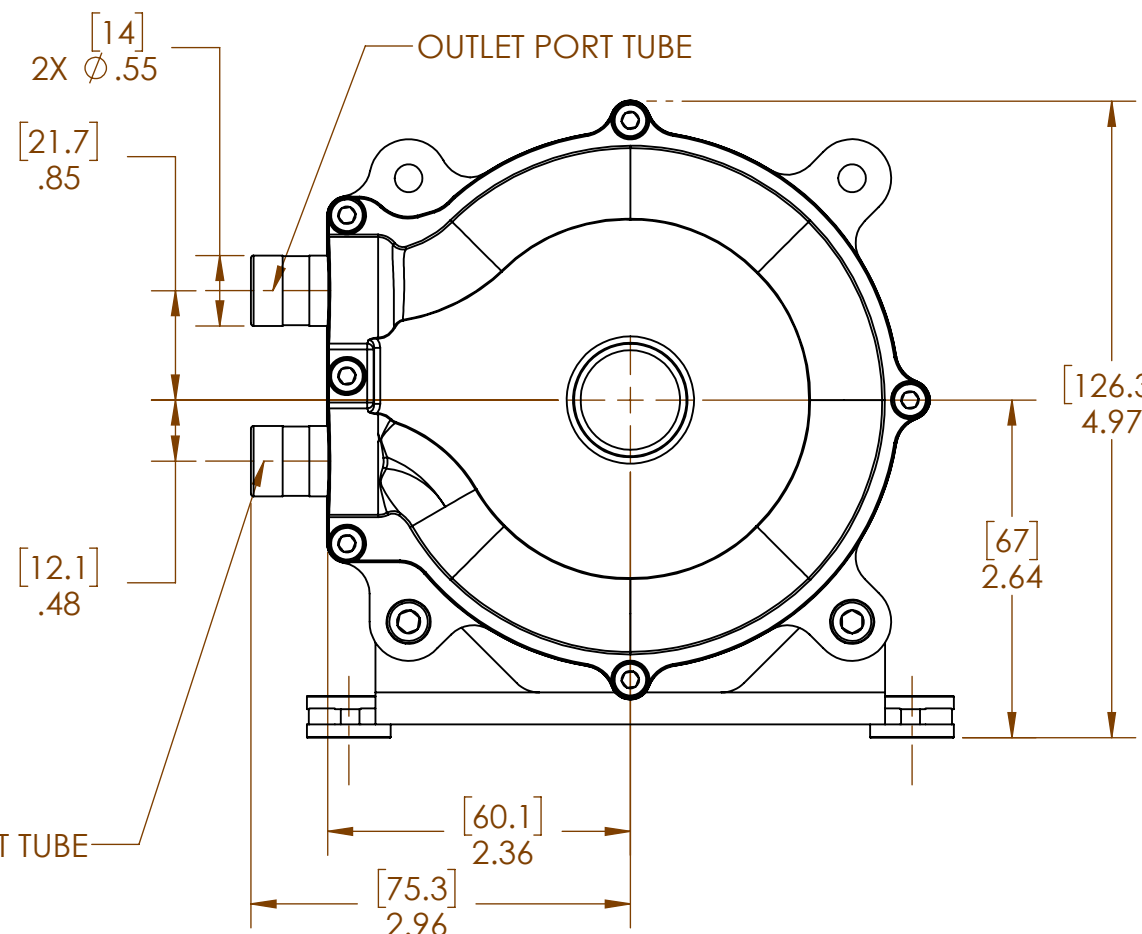


4X SHOCK AND VIBRATION ISOLATOR

INLET PORT TUBE

OUTLET PORT TUBE

4X MOUNTING LOCATION ACCEPTS M5 FASTENER



MOTOR WIRING TERMINATION TABLE

MOOG BDO-Q2-50-40, PIN I.D.	CONNECTION	WIRE COLOR
POWER TERMINAL #2	PHASE B	BLACK
POWER TERMINAL #3	PHASE C	GREEN
POWER TERMINAL #4	PHASE A	RED
SIGNAL TERMINAL #1	S1, HALL SENSOR 1	BROWN
SIGNAL TERMINAL #2	S2, HALL SENSOR 2	BLUE
SIGNAL TERMINAL #3	S3, HALL SENSOR 3	ORANGE
SIGNAL TERMINAL #4	VCC, HALL SUPPLY	YELLOW
SIGNAL TERMINAL #5	HALL GROUND	GRAY