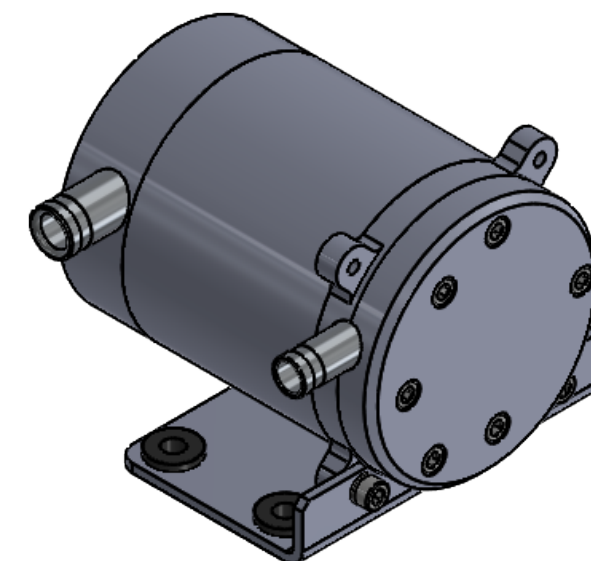


4 MOUNTING HOLES  
ACCEPTS M5 FASTENER

REVISIONS				
ZONE	REV.	DESCRIPTION	DATE	APPRD
	-	ENGINEERING RELEASE	6/3/16	JO

- NOTES:  
 1) THIS DRAWING IS OF A PROTOTYPE AND IS SUBJECT TO CHANGE.  
 2) WIRE HARNESS NOT SHOWN.  
 3) WEIGHT: .84 Kg.  
 4) APPROXIMATE VOLUME: 0.7 LITER.  
 5) PRIMARY DIMENSIONS IN INCHES, SECONDARY IN [mm].



**VAIREX**  
air systems

3048 Valmont Road  
Boulder, CO 80301-2115  
Phone: (303) 444-4556

TITLE <b>VRB1 R3 INSTALLATION DRAWING</b>		PROPRIETARY THIS DOCUMENT IS THE PROPERTY OF VAIREX AIR SYSTEMS AND CONTAINS CONFIDENTIAL INFORMATION.		
DRAWING NUMBER -	REV -	THIS DOCUMENT MAY NOT BE COPIED NOR MAY THE INFORMATION IT CONTAINS BE DISCLOSED UNLESS AUTHORIZED IN WRITING BY VAIREX AIR SYSTEMS.		
Signatures	Date	ACCEPTANCE OF THIS DOCUMENT INDICATES AGREEMENT TO RECEIVE SUCH INFORMATION IN CONFIDENCE.		
DRAWN BY -	-			
CHECKED BY -	-			
ENGINEER -	-			
APPROVED -	-			
USED WITH NA				
MATERIAL SEE NOTES	FINISH 63	SIZE B	SCALE DO NOT SCALE	SHEET 1 OF 1