

REVISIONS

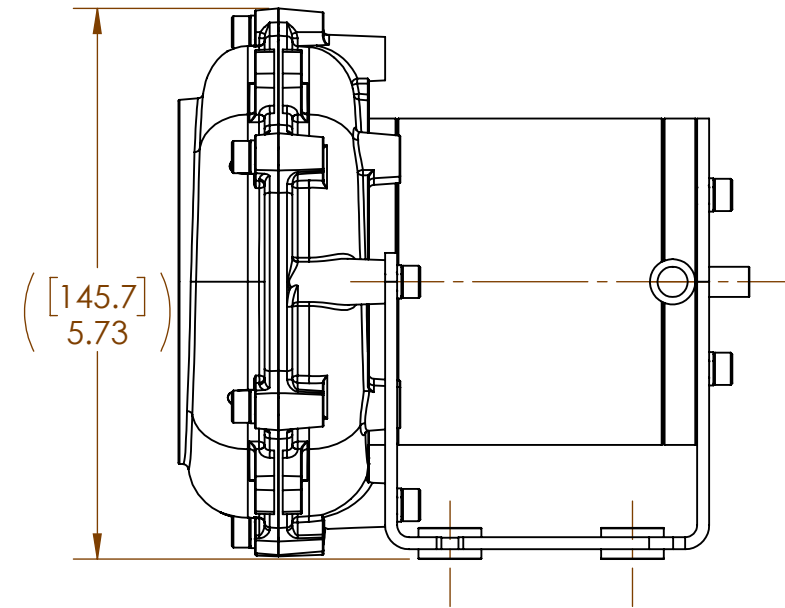
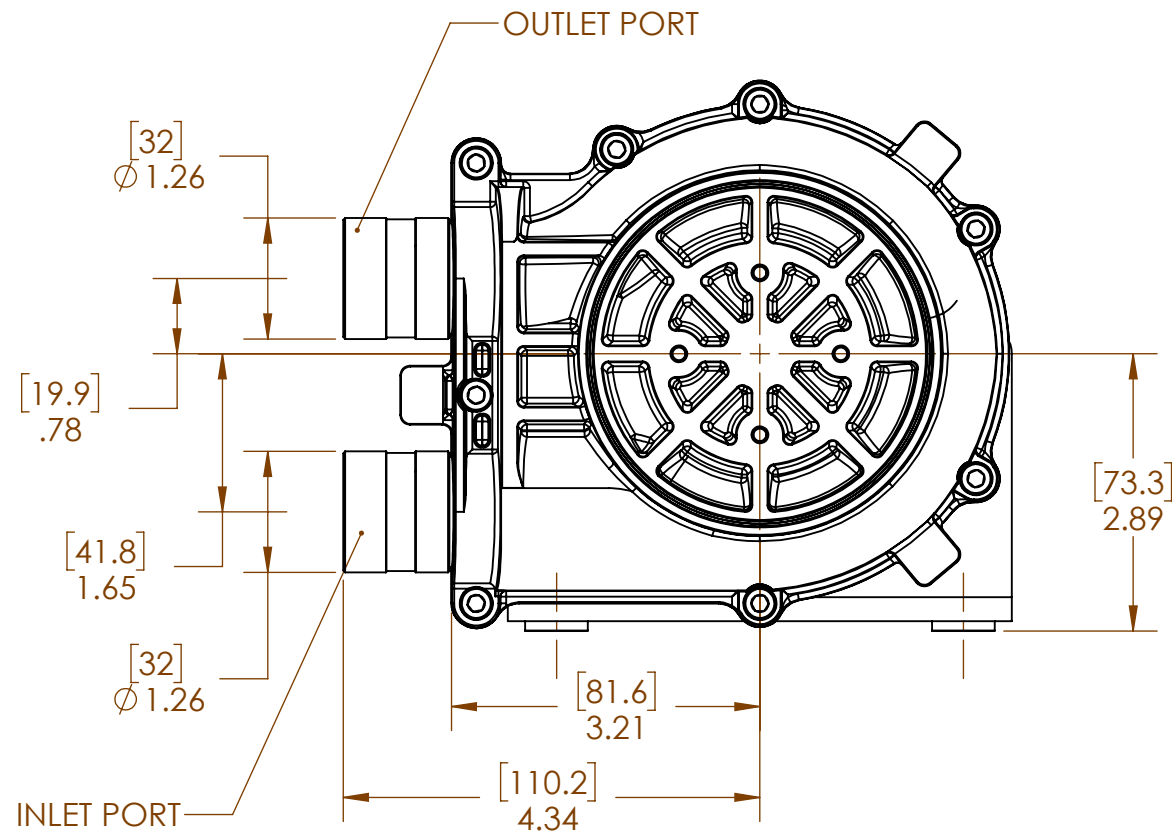
REV	DESCRIPTION	DATE	BY
--	PRODUCTION VERSION RELEASE	5/13/19	JO

NOTES:
 1) THIS DRAWING FOR REFERENCE ONLY. DESIGN MAY CHANGE AT ANY TIME WITHOUT NOTICE.

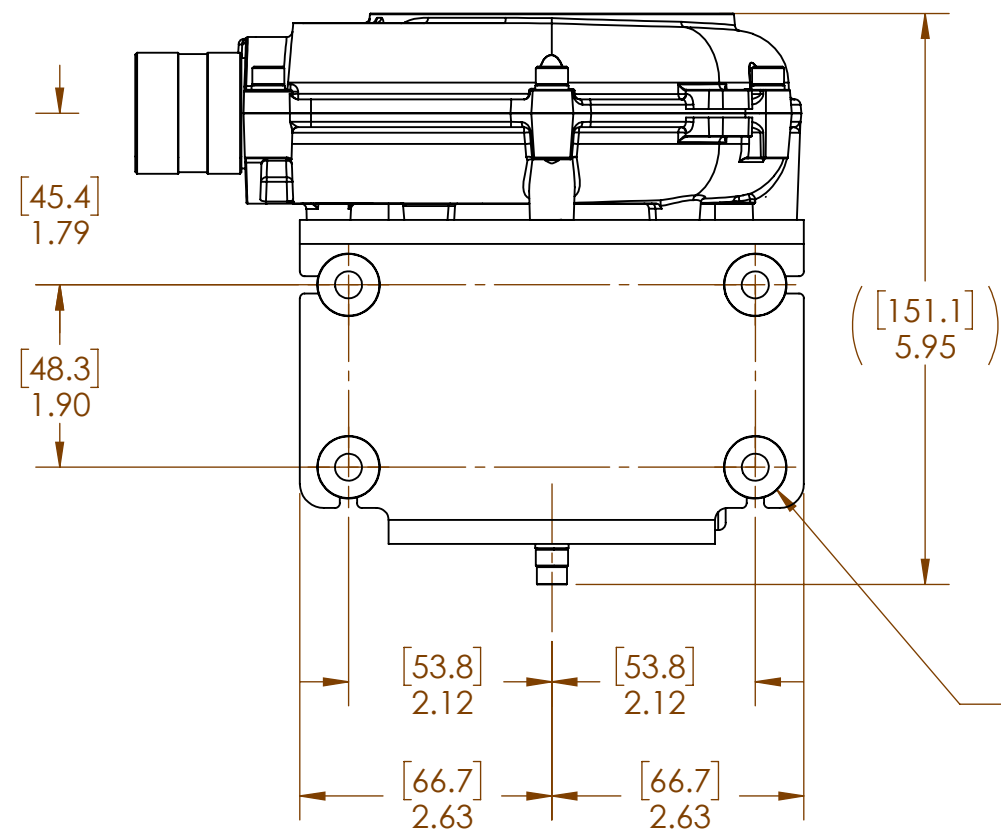
2) PRIMARY DIMENSIONS IN INCHES
 SECONDARY IN [mm].

3) WIRE HARNESS NOT SHOWN. HARNESS LENGTH ~36 INCHES, 91.5 cm.

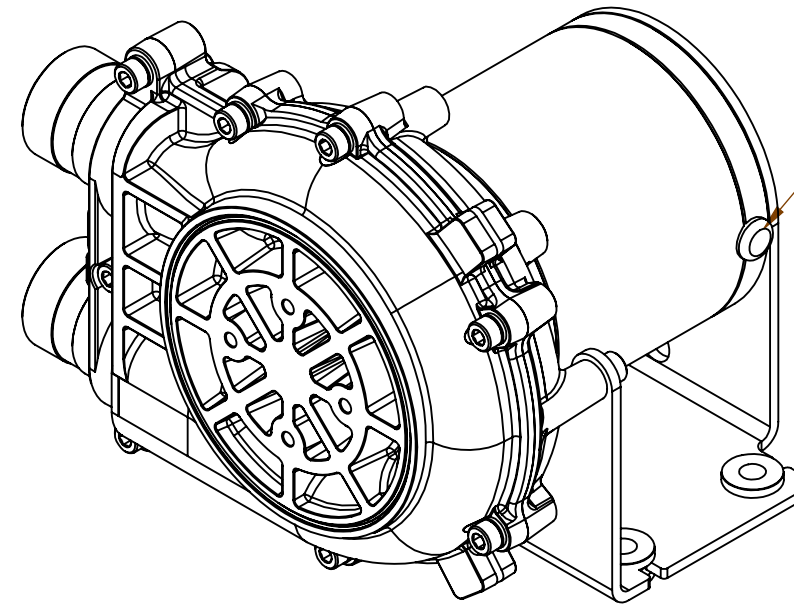
4) CONTACT VAIREX FOR ADDITIONAL DETAILS.



WIRE HARNESS LOCATION,
 WIRE LENGTH ~36" [91.5cm]



4X MOUNTING LOCATION
 SHOWN WITH SHOCK ISOLATORS,
 ACCEPTS M5 FASTENER.



MOTOR TERMINATION TABLE

CONNECTION	WIRE COLOR
PHASE A	RED
PHASE B	BLACK
PHASE C	GREEN
HALL SENSOR 1	BROWN
HALL SENSOR 2	BLUE
HALL SENSOR 3	ORANGE
Vcc, HALL SUPPLY	YELLOW
HALL GROUND	GRAY



3048 Valmont Road
 Boulder, CO 80301-2115
 sales@vairex.com

TITLE
**VRB16 INSTALLATION DWG
 STANDARD PORT TUBES**

DRAWING NUMBER 23019-00	REV --
Signatures	Date
DRAWN BY -	-
CHECKED BY -	-
ENGINEER -	-
APPROVED J.Oakman	5/13/19
USED WITH NA	

PROPRIETARY
 THIS DOCUMENT IS THE PROPERTY OF
 VAIREX AIR SYSTEMS AND CONTAINS
 CONFIDENTIAL INFORMATION.
 THIS DOCUMENT MAY NOT BE COPIED
 NOR MAY THE INFORMATION IT CONTAINS
 BE DISCLOSED UNLESS AUTHORIZED IN
 WRITING BY VAIREX AIR SYSTEMS.
 ACCEPTANCE OF THIS DOCUMENT
 INDICATES AGREEMENT TO RECEIVE SUCH
 INFORMATION IN CONFIDENCE.

MATERIAL SEE NOTES	FINISH 63	SIZE B	SCALE DO NOT SCALE	SHEET 1 OF 1
-----------------------	--------------	-----------	-----------------------	--------------